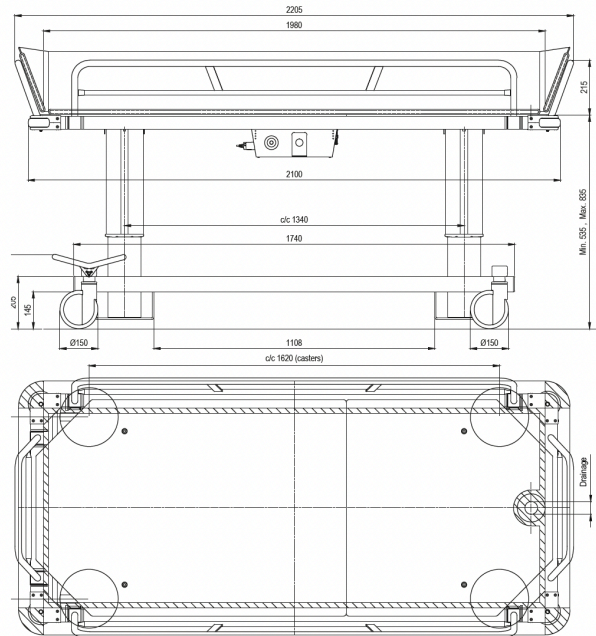
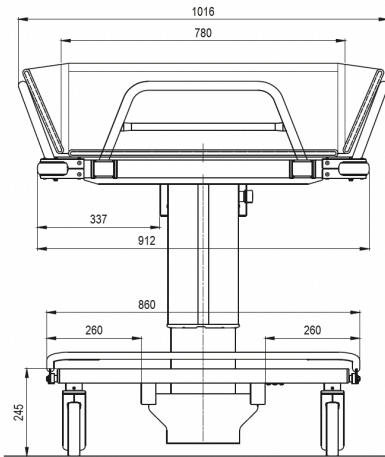


4000 Bariatric Shower Trolley

Data Sheet

Dimensions



Specification

Length	2210 mm
Width	915 mm
Height	535-835 mm
Floor Clearance	160 mm
Working Load Limit	450 kg
Castors	4 central braked castors, 150 mm as standard
Control	Hand control for height and tilt adjustability
Battery	Onboard 24 V, 7Ah /Removable Li-Ion 24 V. 4 Ah
Protection Class	Complete unit IPX5 (Hand control and removable battery IPX6)
Backrest wedge pillow	15° or 30°
Fasteners/straps for attachment	On mattresses to siderails
Drainage hose	2.5 m
Battery Solution	Removable + rechargeable
Dimensions (mm)	See diagram above