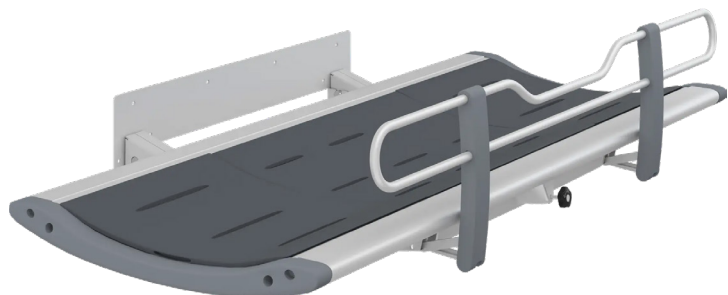
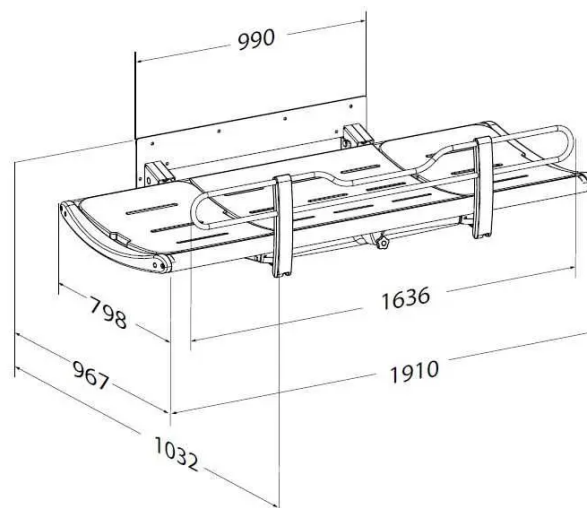


# SCT 3000 Changing Bench

## Data Sheet



### Dimensions



### Specification

Adjustability:	Fixed Mounting
Maximum User Weight:	200 kg
Safe Working Load:	210 kg
Colour:	Graphite Grey
Designer:	Rasmus Thygesen
Design Year:	2020
Materials:	Powder-lacquered stainless steel, aluminium and plastics (PVC, Polystyrene). Pads in polyurethane foam, are tested according to the DIN EN 1021-1 standard (flame resistance).
Net Weight:	59.4 kg
Gross Weight:	65.6 kg
Dimensions (mm):	See diagram above