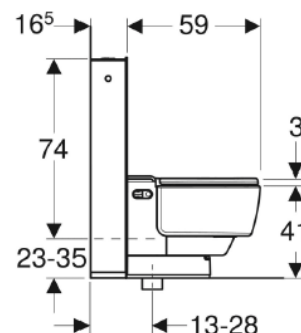
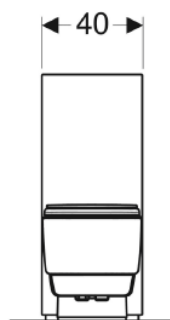
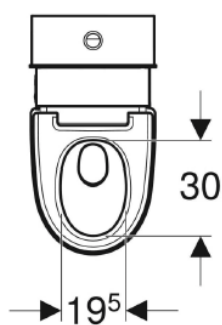


# Aqua Clean Mera Care Toilet

## Data Sheet



### Specification

Protection degree	IPX4
Nominal voltage	230 V AC
Mains frequency	50 Hz
Power consumption standby max.	0.5 W
Flow pressure	0.5- 10 bar
Operating temperature	5-40 °C
Water temperature adjustment range	34-40 °C
Flush volume, factory setting	6 / 4 l
Minimum flow pressure	0.5 bar
Calculated flow rate	0.03 l/s
Spray time	30-50 s
Belastung WC-Sitzring (kg) - max.	190 kg
Load WC seat max.	190 kg
Odour extraction unit	Yes
SoftOpening	No
With WC seat ring heating	No
With orientation light	No
With dryer functionality	Yes
Dimensions (cm)	See diagram above