

Gantry System

Data Sheet

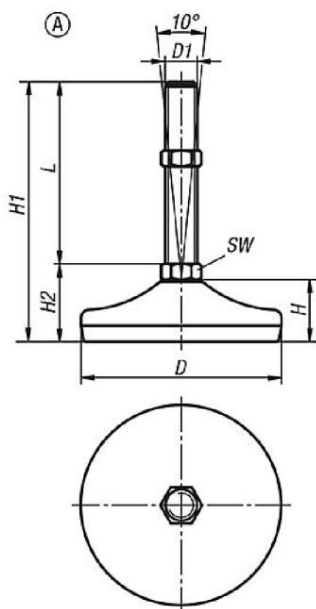


Specification

Maximal lifting capacity	275 kg
Installation	Standard 4,1m C-Profiles in combination with poles and adjustable feet, standard tools, miter saw.
Material	Steel, electrical galvanized, aluminium, powder coated
Weight parts	C-Profile: 24 kg Pole: 17,2 kg Traverse Trolley: 4,7 kg Wall Charger: 0,43 kg
Average weight total exclusive hoist (standard length of C-Profile and Pole)	200-220kg
Average weight on each foot	50-54 kg
Colour	RAL 9010 High Gloss
Charging (hoist)	Standard Wall Charger internal Mascot (5264) with magnetic back plate for installation on pole
Features (comfort)	End stop with rubber stop Adjustable foot with rubber foot (80 shore) Silent Traverse Trolley wheels
Other	For datasheet hoist and wall charger, see those specific datasheets.
Dimensions (mm)	See diagrams overleaf

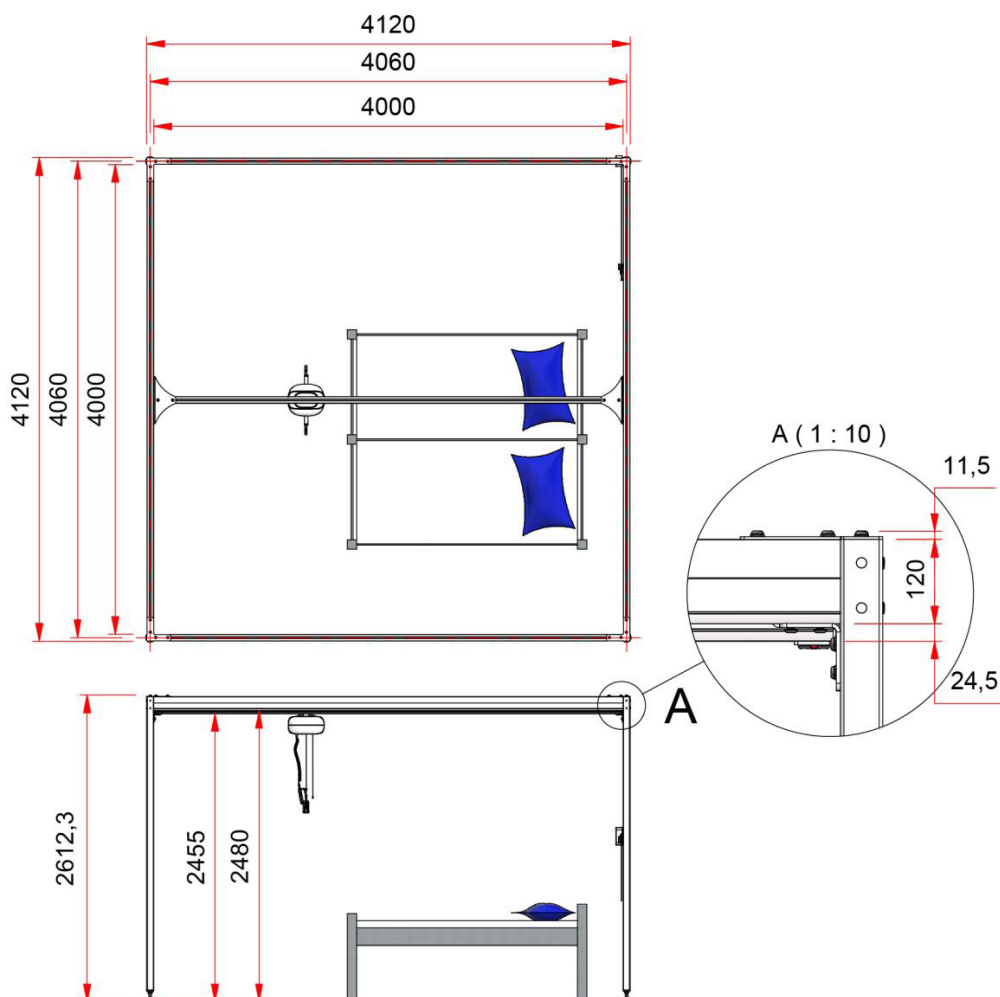
Gantry System

Data Sheet



Dimensions: Adjustable Feet

Number	Value/unit/description
D	80mm
D1	M20
H	25mm
H1	136mm
H2	36mm
L	100mm
SW	20mm
SW1	10mm
Max SWL (static)	10kN
Minimal thread insert in cap	40mm



Gantry System

Data Sheet

Dimensions

