



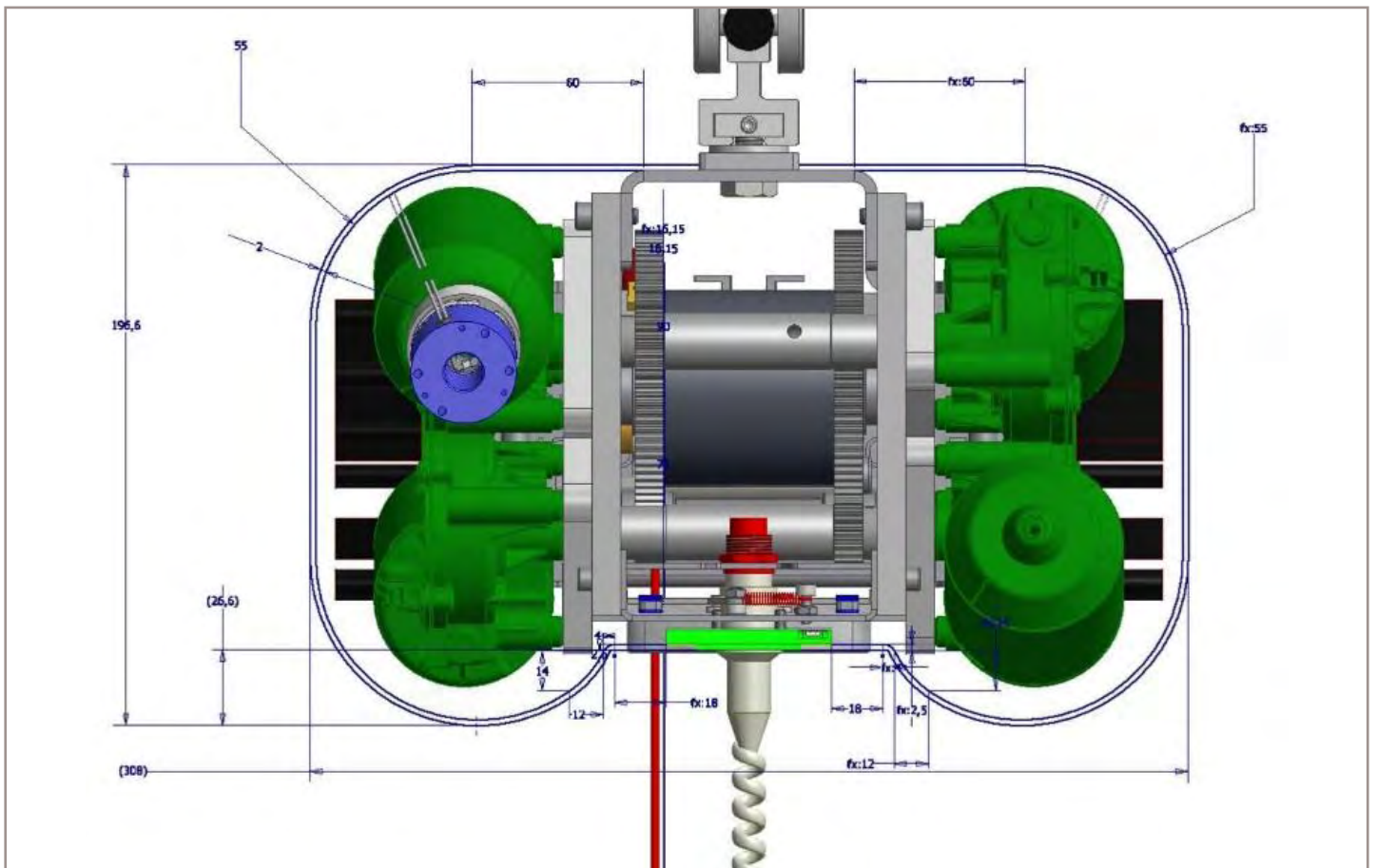
AirRise500

Specifications, Development,
& Testing Report

AirRise500™

Specifications

Dimensions	450x300x195mm*
Max Lift Capacity	500kg
Total Weight Without Sling	22kg*
Lifting Velocity at 500kg Load	5cm per second
Electrical Connection of Charger	230volts
Current between Charger/Hoist	0,5Ah
Charging Time	8-10 hrs
Battery Details	4 x 12v 5Ah
Lifting Tape	50mm wide x 2400mm



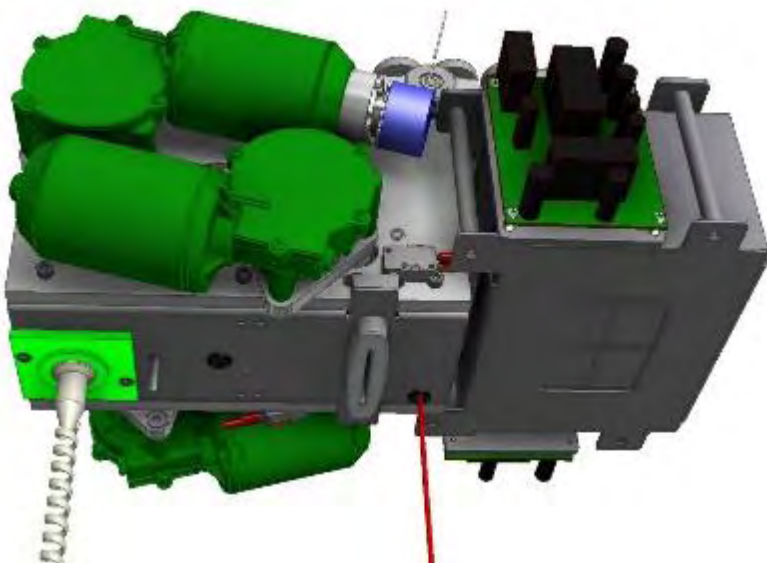
Development Timescale Roadmap

Timescale for the AirRise500™ Hoist Unit from Prototype to Production:

CHASSIS / DRIVE AND ELECTRONICS	START	READY
Design 1st Prototype	15-01-2015	23-01-2015
Testing 1st Prototype	23-02-2015	02-03-2015
2nd Prototype	03-03-2015	30-03-2015
Final Prototype / Production Test	01-04-2015	23-04-2015
COVER	START	READY
Design Cover	15-04-2015	16-04-2015
Review Designs	21-04-2015	24-04-2015
Production Moulds 1st Batch	04-05-2015	28-05-2015*
Production Covers 1st Batch	15-05-2015	06-06-2015*

*Estimated

The completed unit is expected to be available from early June 2015.



Testing Report

TEST DETAILS / CONDITIONS:




Test Model:	Prototype Hoist 500kg
Drive:	2 x Motor 626.135 2 x Motor 626.141 with electronic brake
Power:	4 x Battery 12V 5Ah Type ESH 5-12
Strap:	50mm Standard 7115
Test Weight:	Test Cart 750kg
Tested Track:	55 x 120mm 1384 Profile L-800mm (1016)
Test Location:	Factory, The Netherlands
Supervision:	M. van den Brandt

TEST RESULTS:

TEST	PASS Y/N	DATE	DETAILS
Stress Test 50mm Strap	Y	15-12-2014	Strap broke at 2169.93kg
Lift 500Kg Load	Y	24-02-2015	
Lift 1.5 X SWL = 750kg	Y	24-02-2015	Bypass PCB Safety
Strength of Chassis / Frame at 750kg	Y	24-02-2015	
Strength of Wheels at 750kg	Y	24-02-2015	
Electronic Brakes at 750kg	Y	24-02-2015	

TEST LIFTS AT MAXIMUM LOAD (500kg):

Height of Hoist (Track):	2300mm
Lift Load From:	750mm
Lift Load To:	1450mm
Lift Range:	+/- 700mm

Number of lifts - Green Status:	15		Green = Batteries above 23 Volts.
Number of lifts - Orange Status:	10		Orange = Batteries below 23 Volts.
Total Lifts Until Red (Critical) Status:	25		Red = Batteries below 22.2 Volts. Advanced Battery Protection software prevents further lifting.



Yesterday's challenge
Today's solution

For general enquiries please
contact us at:

t | 0845 034 1450

f | 0845 034 1451

e | enquiries@innova.uk.com

www.innovacareconcepts.com